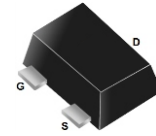


BSS138ESM-HF

**N-Channel
RoHS Device
Halogen Free**



Features

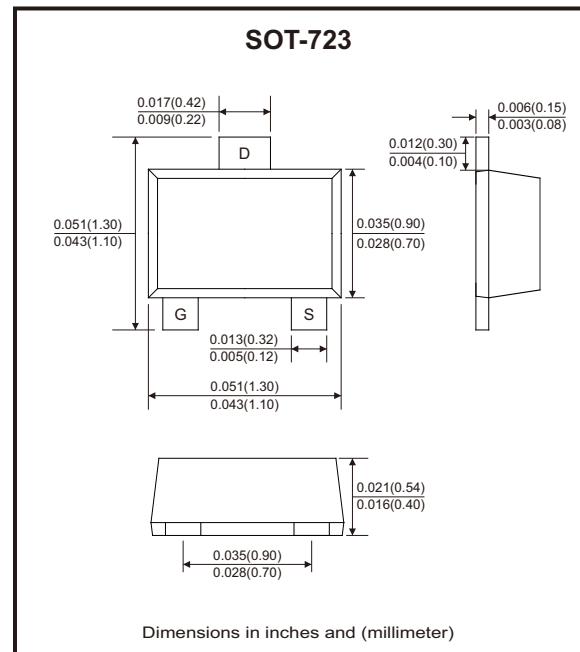
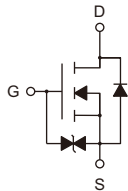
- Low on-resistance.
- Low input capacitance.
- Fast switching speed.
- ESD protection up to 1.5kV (human body mode).

Mechanical data

- Case: SOT-723, molded plastic.
- Molding compound: UL flammability classification rating 94V-0.
- Terminals: Matte tin-plated leads, solderability-per MIL-STD-202, method 208.

Circuit Diagram

- G : Gate
- S : Source
- D : Drain



Maximum Ratings (at TA=25°C unless otherwise noted)

Parameter	Symbol	Value	Unit
Drain-source voltage	V_{DS}	50	V
Gate-source voltage	V_{GS}	± 20	V
Continuous drain current <small>(Note 1)</small>	I_D	360	mA
Pulsed drain current	I_{DM}	1200	mA
Single pulse avalanche energy <small>(Note 4)</small>	E_{AS}	0.2	mJ
Power dissipation <small>(Note 1)</small>	P_D	0.15	W
Thermal resistance junction to air <small>(Note 1)</small>	$R_{\theta JA}$	834	°C/W
Thermal resistance junction to lead <small>(Note 1)</small>	$R_{\theta JL}$	500	
Thermal resistance junction to case <small>(Note 1)</small>	$R_{\theta JC}$	421	
Operating junction temperature range	T_J	-55 to +150	°C
Storage temperature range	T_{STG}	-55 to +150	°C

Electrical Characteristics (at $T_A=25^{\circ}\text{C}$ unless otherwise noted)

Parameter	Symbol	Conditions	Min	Typ	Max	Unit
Static Characteristics						
Drain-source breakdown voltage	V_{DSS}	$V_{GS} = 0V, I_D = 250\mu A$	50			V
Zero gate voltage drain current	I_{DSS}	$V_{DS} = 50V, V_{GS} = 0V$			1	μA
Gate-body leakage current	I_{GSS}	$V_{GS} = \pm 20V, V_{DS} = 0V$			± 10	μA
On Characteristics (Note 2)						
Static drain-source on-resistance	$R_{DS(on)}$	$V_{GS} = 10V, I_D = 0.5A$		1	1.6	Ω
	$R_{DS(on)}$	$V_{GS} = 4.5V, I_D = 0.2A$		1.2	2.5	Ω
	$R_{DS(on)}$	$V_{GS} = 2.5V, I_D = 0.1A$		1.7	4.5	Ω
Gate threshold voltage	$V_{GS(th)}$	$V_{DS} = V_{GS}, I_D = 250\mu A$	0.8	1	1.5	V
Dynamic Characteristics						
Input capacitance	C_{iss}	$V_{GS} = 0V, V_{DS} = 25V, f = 1MHz$		51		pF
Output capacitance	C_{oss}			17		
Reverse transfer capacitance	C_{rss}			9		
Total gate charge	Q_g	$V_{DS} = 25V, V_{GS} = 10V, I_D = 0.2A$		4		nC
Gate to source charge	Q_{gs}			0.5		
Gate to drain (miller) charge	Q_{gd}			0.4		
Switching Characteristics (Note 3)						
Turn-on delay time	$t_{d(on)}$	$V_{DD} = 25V, I_D = 0.36A$ $V_{GS} = 10V, R_G = 6\Omega$		2.2		ns
Turn-on rise time	t_r			19.2		
Turn-off delay time	$t_{d(off)}$			6.2		
Turn-off fall time	t_f			23		
Source-Drain Diode Characteristics						
Diode forward voltage (Note 1)	V_{SD}	$I_S = 0.5A, V_{GS} = 0V$		0.89	1.4	V
Maximum continuous drain source diode forward current	I_S				0.36	A
Reverse recovery time	t_{rr}	$I_F = 1A, dI_F/dt = 100A/\mu s$		20		ns
Reverse recovery charge	Q_{rr}				10.7	

Notes: 1. Surface mounted on FR4 board, and standard footprint, $t \leq 10$ sec.

2. Pulse test: pulse width $\leq 300\mu s$, duty cycle $\leq 2\%$.

3. Guaranteed by design, not subject to production.

4. The EAS data shows Max. rating. The test condition is $V_{DS}=48V, V_{GS}=10V, L=0.5mH, R_G=25\Omega$.

Rating and Characteristic Curves (BSS138ESM-HF)

Fig.1 - Output Characteristics

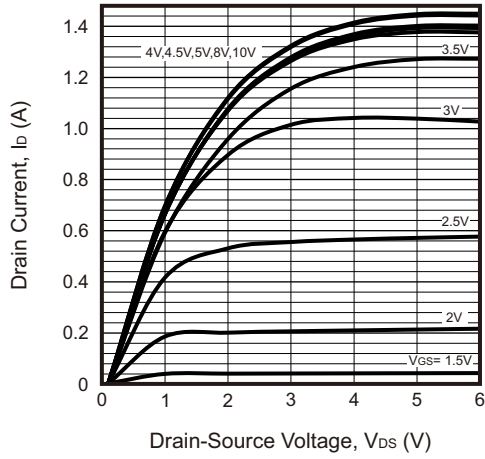


Fig.2 - On-Resistance vs. Drain Current and Gate Voltage

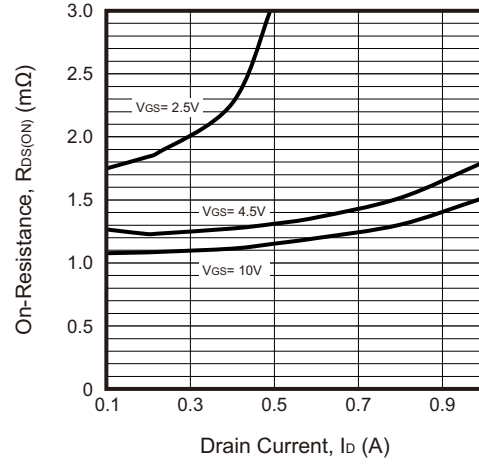


Fig.3 - On-Resistance vs. Gate-Source Voltage

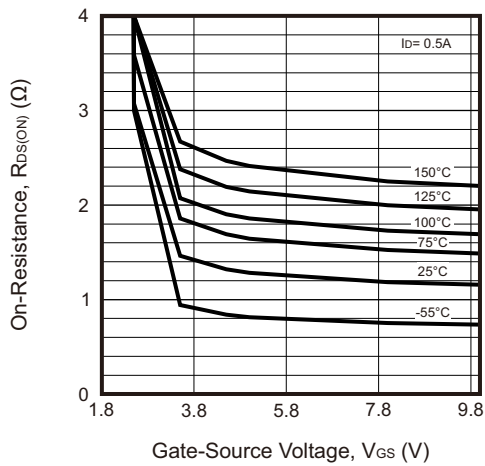


Fig.4 - Body-Diode Characteristics

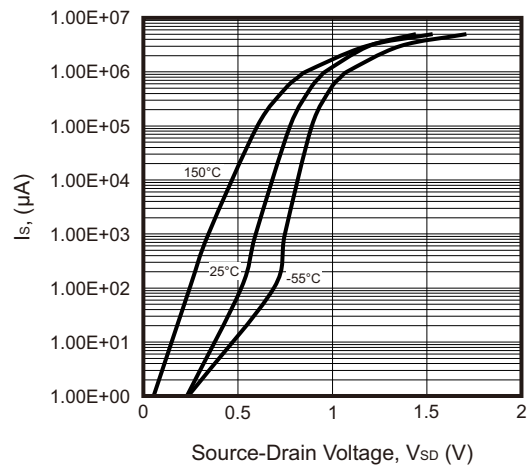


Fig.5 - On-Resistance vs. Junction Temperature

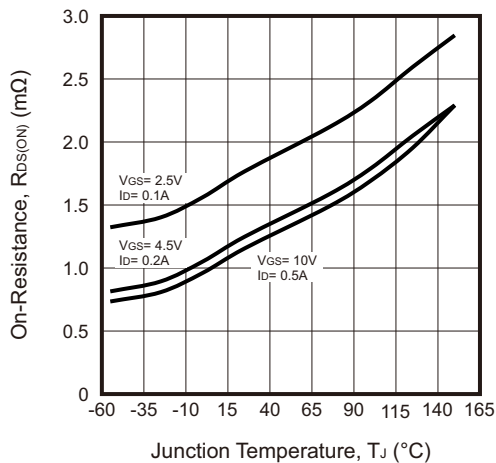
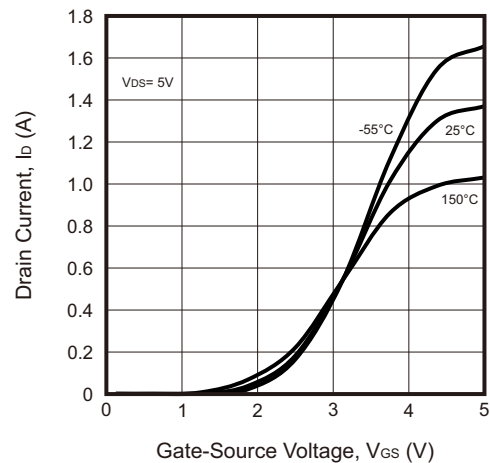


Fig.6 - Transfer Characteristics



Rating and Characteristic Curves (BSS138ESM-HF)

Fig.7 - Gate Voltage vs. Junction Temperature

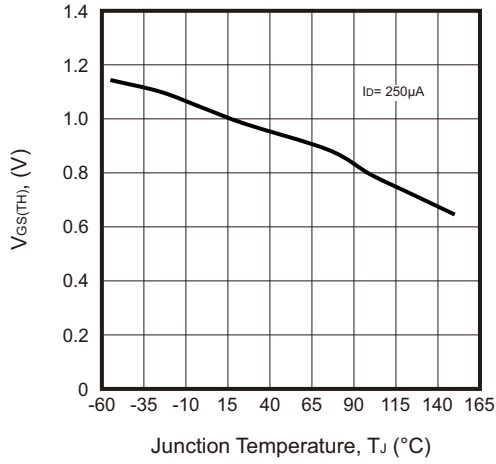


Fig.8 - Drain Source vs. Junction Temperature

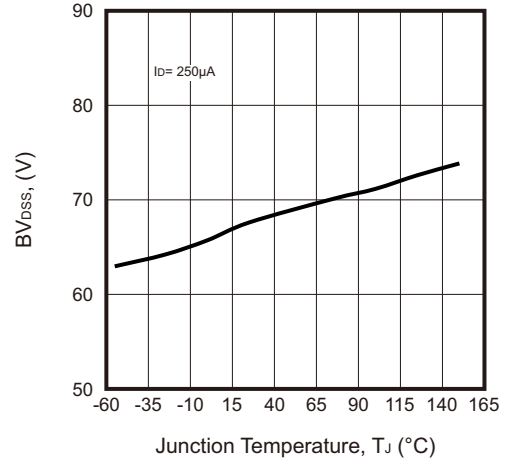


Fig.9 - Capacitance Characteristics

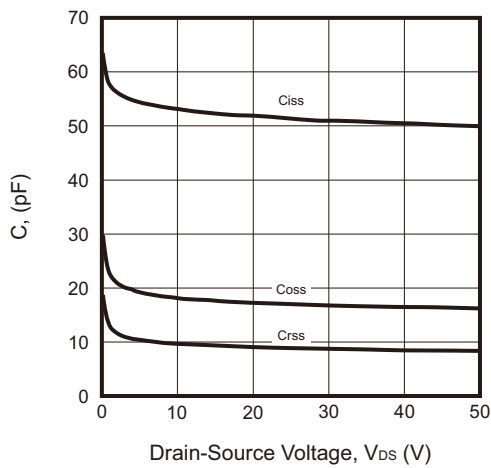
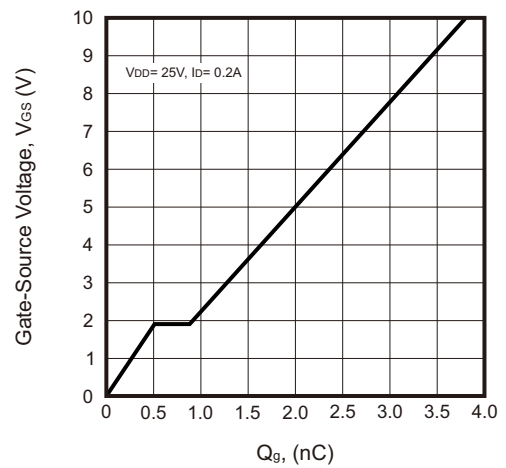
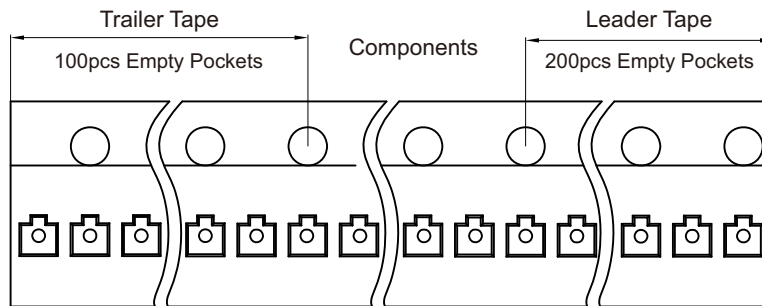
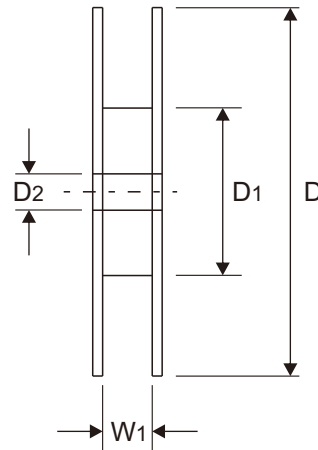
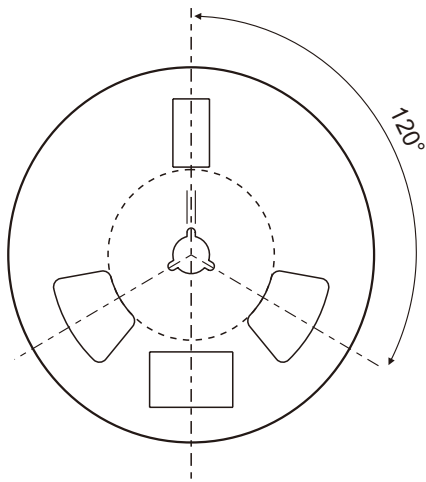
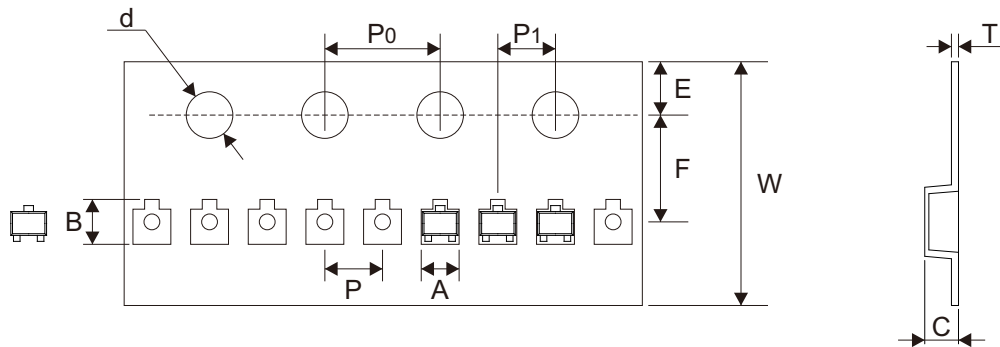


Fig.10 - Gate-Charge Characteristics



Reel Taping Specification

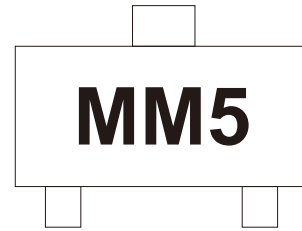


SOT-723	SYMBOL	A	B	C	d	D	D1	D2
	(mm)	1.31 ± 0.05	1.45 ± 0.05	0.61 ± 0.05	1.50 ± 0.10	178.00 ± 1.00	54.00 ± 0.50	13.00 ± 0.50
	(inch)	0.052 ± 0.002	0.057 ± 0.002	0.024 ± 0.002	0.059 ± 0.004	7.008 ± 0.039	2.126 ± 0.020	0.512 ± 0.020

SOT-723	SYMBOL	E	F	P	P0	P1	T	W	W1
	(mm)	1.75 ± 0.10	3.50 ± 0.05	2.00 ± 0.05	4.00 ± 0.10	2.00 ± 0.05	0.20 ± 0.02	8.00 + 0.30 - 0.10	9.50 ± 1.00
	(inch)	0.069 ± 0.004	0.138 ± 0.002	0.079 ± 0.002	0.157 ± 0.004	0.079 ± 0.002	0.008 ± 0.001	0.315 + 0.012 - 0.004	0.374 ± 0.039

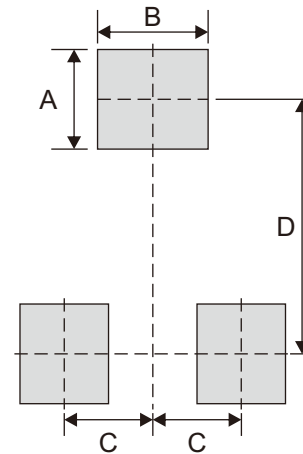
Marking Code

Part Number	Marking Code
BSS138ESM-HF	MM5



Suggested P.C.B. PAD Layout

SIZE	SOT-723	
	(mm)	(inch)
A	0.45	0.018
B	0.50	0.020
C	0.40	0.016
D	1.15	0.045



Standard Packaging

Case Type	REEL PACK	
	REEL (pcs)	Reel Size (inch)
SOT-723	10,000	7